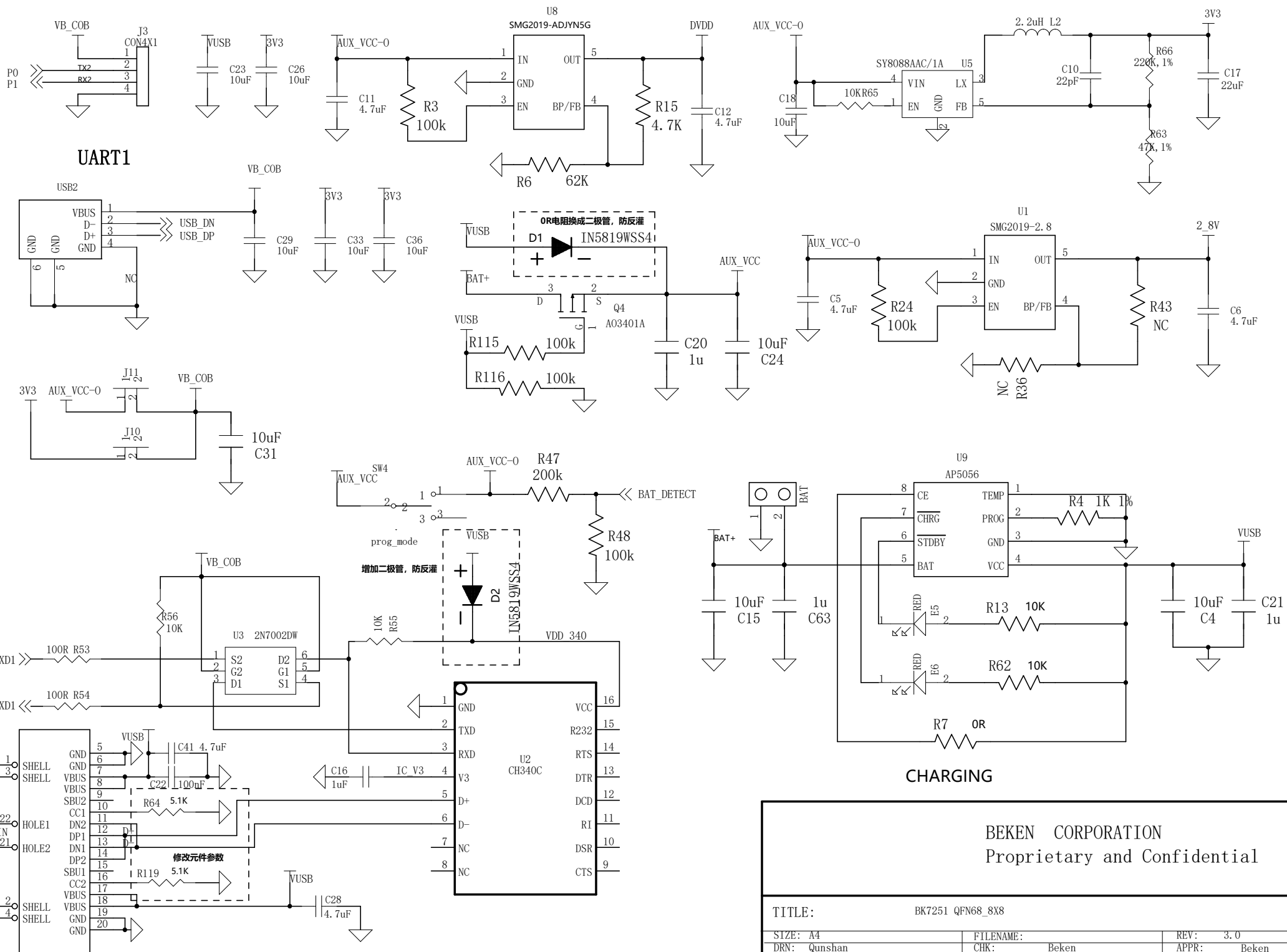
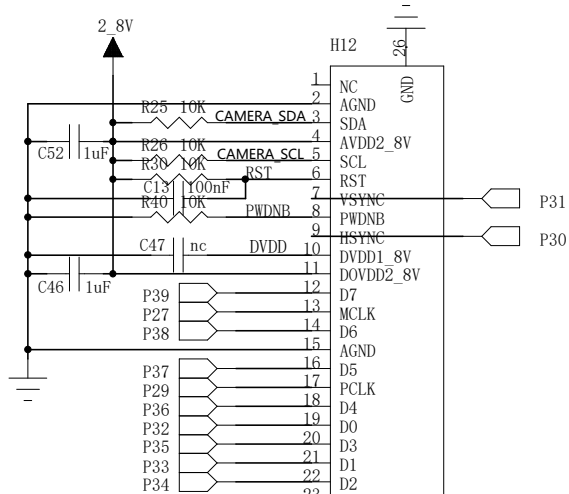


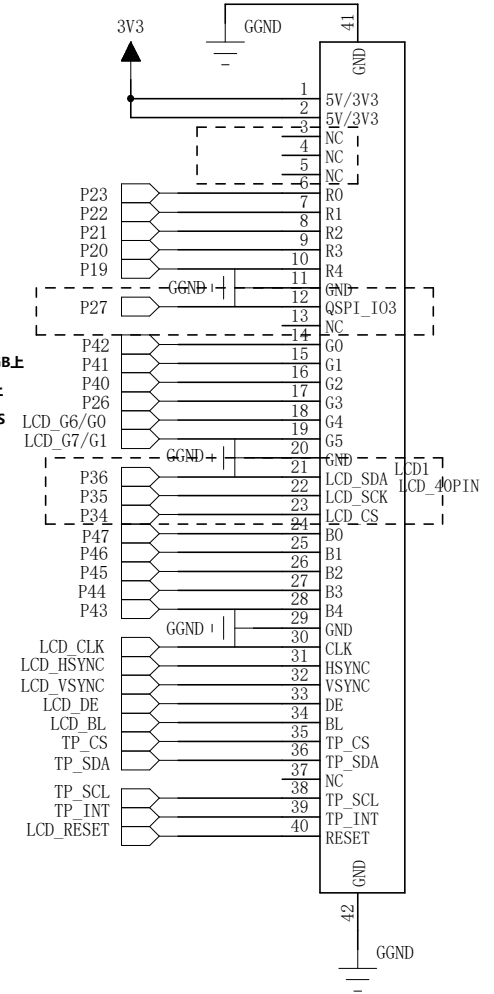
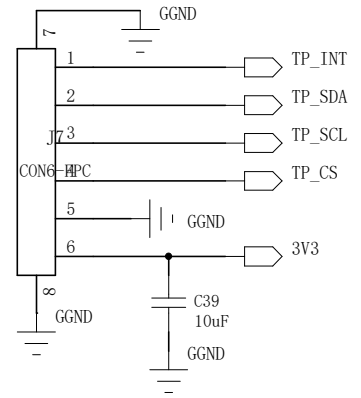
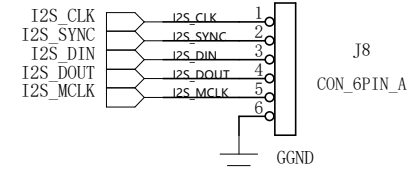
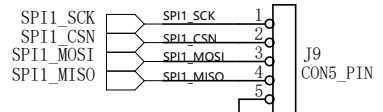
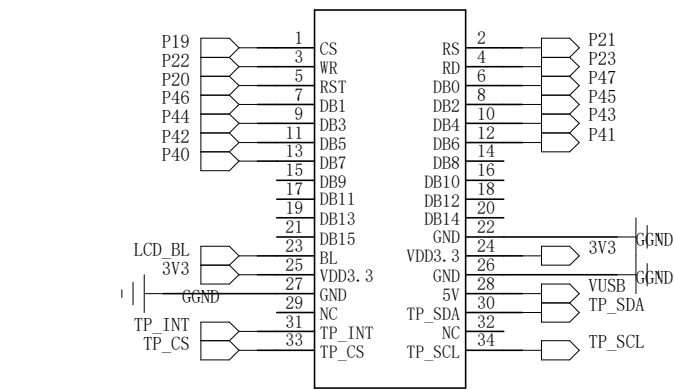
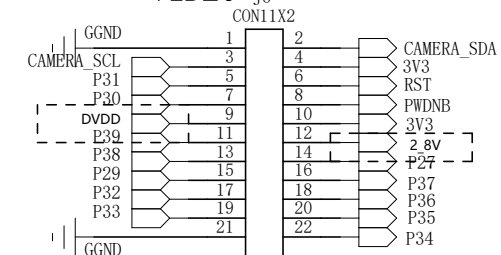
BEKEN CORPORATION Proprietary and Confidential			
TITLE: Audio & Key			
SIZE: A4	FILENAME:	REV: 3.0	
DRN: Qunshan	CHK: Beken	APPR: Beken	
CRD:	UPD: Wednesday, December 05, 2018	SHEET: 1 of 4	



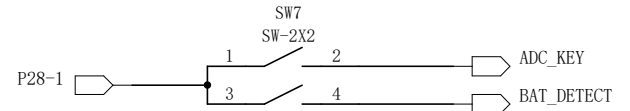
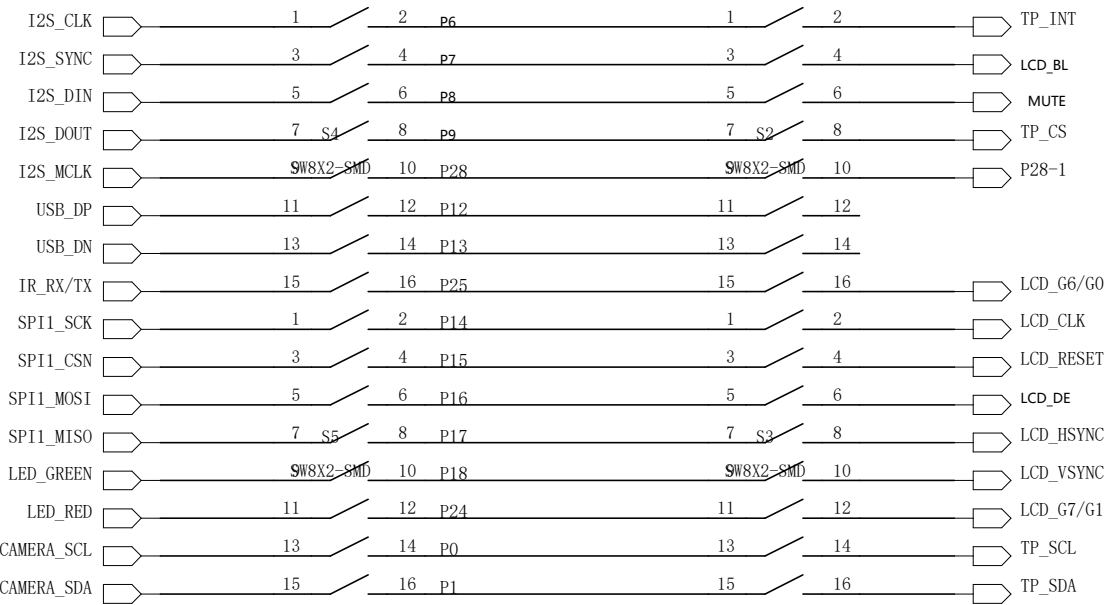


**PAS6329  
OV7670**

**VIDEO**



修改非查连接定义  
RGB缺失的数据脚在  
小板上连接到已有的RGB上  
增加QSPI\_IO3到小板上  
增加LCD\_SDA/SCK/CS

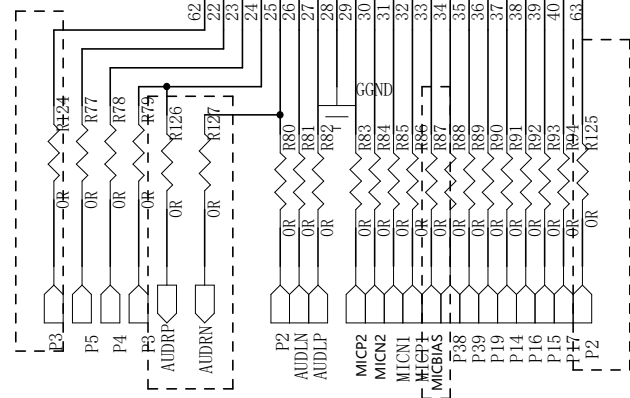
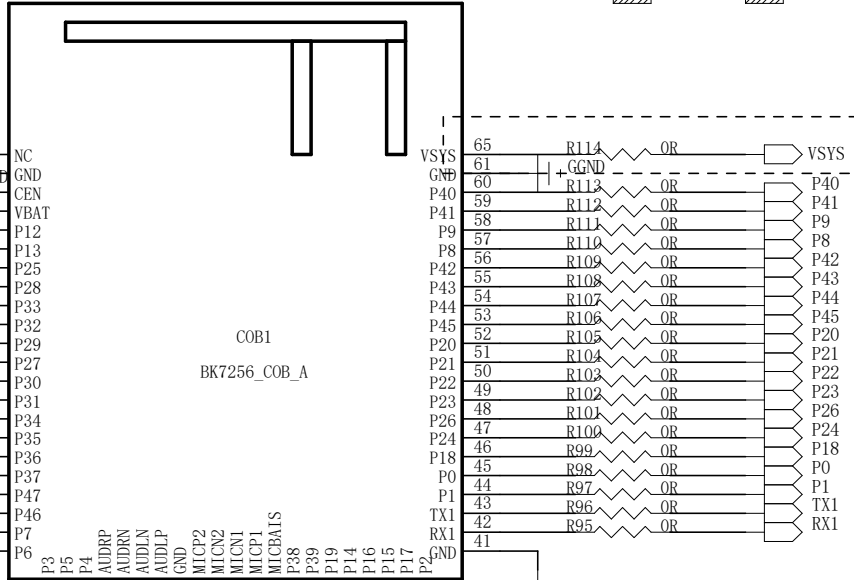
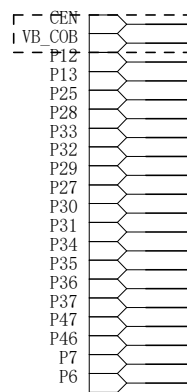
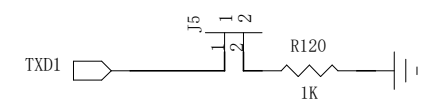
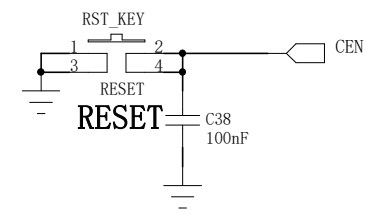
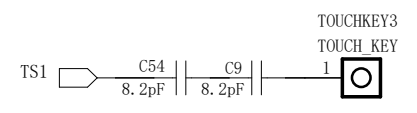
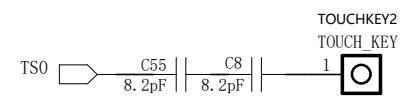
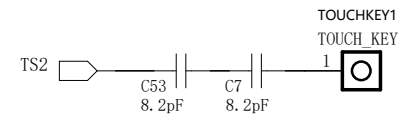
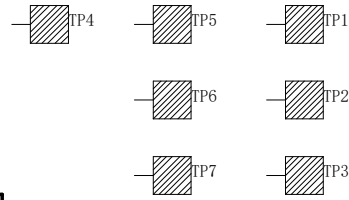
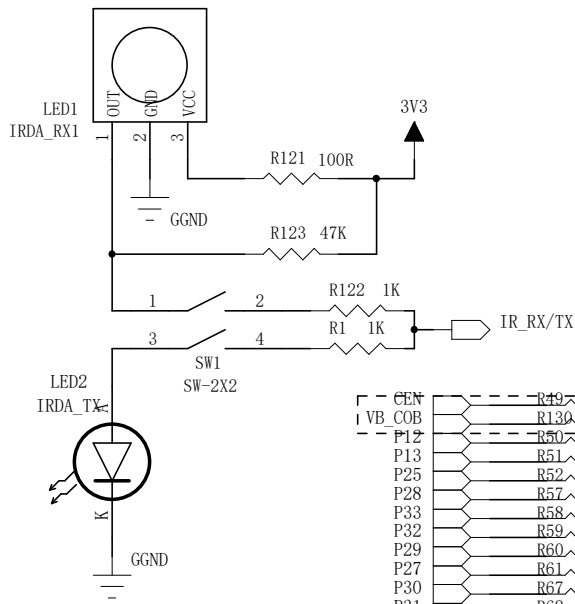


**BEKEN CORPORATION**  
Proprietary and Confidential

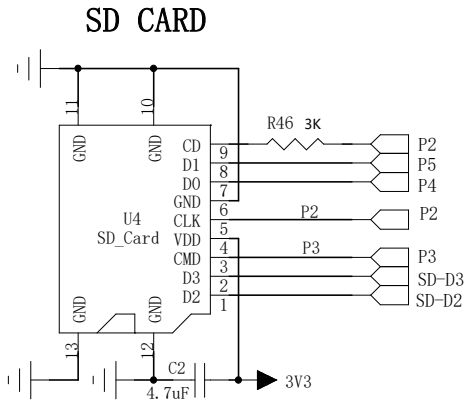
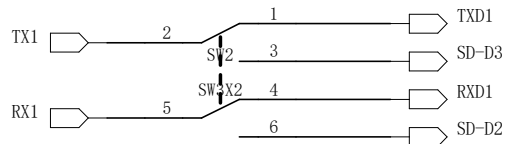
---

TITLE: Audio & Key

SIZE: A4	FILENAME:	REV: 3.0
DRN: Qunshan	CHK: Beken	APPR: Beken
CRD:	UPD: Wednesday, December 05, 2018	SHEET: 3 of 4



增加模块脚位, 和上海80pin模块兼容  
 64PIN芯片R124, R125, R126, R127 NC  
 80PIN芯片R79, R80 NC



BEKEN CORPORATION  
 Proprietary and Confidential

TITLE: BK7251 QFN68 8X8		
SIZE: A4	FILENAME:	REV: 3.0
DRN: Qunshan	CHK: Beken	APPR: Beken
CRD:	UPD: Wednesday, December 05, 2018	SHEET: 4 of 4